

## BIOMETRIC PROPERTIES OF EURYHALINE FISH THE SAND SMELT *ATHERINA BOYERI* RISSO, 1810

**Semra Benzer**

Gazi University, Education Faculty, Science Education, Teknikokullar Ankara 06500  
email: sbenzer@gazi.edu.tr

**ABSTRACT:** In this study the presence of sand smelt *Atherina boyeri* Risso, 1810, an invasive and translocated species has been reported in the Hirfanlı Dam Lake, Turkey. The fish samples were collected from the fishermen operating in the area in April 2016. Twenty-three morphometric characteristics of *A. boyeri*, were taken, including standard length (SL), fork length (FL), total length (TL), preorbital distance, eye diameter, interorbital distance, head length, head width, dorsal fin I nose point distance, dorsal fin II nose point distance, preanal distance, prepectoral distance, preventral distance, dorsal fin I base length, dorsal fin II base length, anal fin base length, pectoral fin base length, ventral fin base length, maximum body height, caudal peduncle height, body width, caudal peduncle width, body weight (W). The SL varied between 62 to 75 mm and weight 2.324 to 4.133 g in females. Whereas in males the SL varied between 56 to 78 mm and weight 1.533 to 4.011 g. The sex ratio was slightly in favour of females being 54.4%.

**KEYWORDS:** *Atherina boyeri*, sand smelt, biometric properties, euryhaline fish

### INTRODUCTION

The big-scale sand smelt *Atherina boyeri* Risso, 1810 lives in fresh, brackish and marine waters of the western Atlantic Ocean and Mediterranean Sea (Milana *et al.*, 2008). *Atherina boyeri* is euryhaline: the adults migrate to sea in autumn and enter the lagoons in spring for reproduction (Congiu *et al.*, 2002). The field of fisheries science has used many tools, such as genetic and morphometric characteristics to distinguish groups of fish (Mir *et al.*, 2013). Morphometric assessment is also used in the identification of the differences in fish population (Tzeng, 2004; Cheng *et al.*, 2005; Buj *et al.*, 2008). The morphological differences based on general body type or unusual anatomical forms are used to distinguish and compare species and groups in fish (Strauss and Bond, 1990). Morphometric characteristics of fish are studied widely through the use of classical dimensions (Strauss and Bond 1990; Park *et al.*, 2007). Morphometric assessment of an animal species determines the inter relation between the body parameters like length, weight, fecundity and so on (Carpenter *et al.*, 1996).

*Atherina boyeri* is considered as a polymorphic complex in the literature (Kiener and Spillmann, 1969). They are carnivorous, feeding on small crustaceans, worms, mollusks and fish larvae (Quignard and Pras, 1986). Based on the prey composition abundance, *A. boyeri* is considered to be an opportunistic predator (Bartulovic *et al.*, 2004; Doulka *et al.*, 2013) that can feed both on planktonic or benthic invertebrates (Rosecchi and Crivelli, 1992).

In recent years, *A. boyeri*, a marine species, has been found to expand its distribution in the inland waters (Ekmekçi *et al.*, 2013; Innal and Erkakan, 2006). *A. boyeri* in terms

of distribution is both a native and translocated fish in Turkish waters (Innal and Erkakan, 2006). According to Tarkan *et al.* (2014) any translocated or invasive fish species may cause problems to the native fish fauna by producing exotic diseases and parasites (Innal and Erkakan, 2006; Tarkan *et al.*, 2014). *A. boyeri* is in the category of IUCN Red List LC (Least Concern) (Freyhof ve Kottelat, 2008).

The non-native fish species *Pseudorasbora parva* and native *Aphanius danfordii* are also abundant in the reservoir. These species share the same habitat as *A. boyeri* (Ekmekci *et al.*, 2010). The presence of *Aphanius danfordii*, *A. boyeri*, *Pseudorasbora parva*, *Cyprinus carpio*, *Tinca tinca* and *Sander lucioperca* species is reported in the Hirfanlı Reservoir (Kırankaya *et al.*, 2014; Gençoğlu and Ekmekçi, 2016; Benzer *et al.*, 2009; Gül *et al.*, 2011). The fishermen engaged in commercial hunting in the Hirfanlı Dam Lake were hunted by *A. boyeri* while hunting *Aphanius marassantensis* and *Pseudorasbora parva*.

Several biological studies have been conducted on *A. boyeri* in different water bodies of Turkey, such as, study of some biological characteristics (Altun, 1986; Sezen, 2005; Tarkan *et al.*, 2012), variations in growth and life history traits (Tarkan *et al.*, 2007; Çetinkaya *et al.*, 2011); biometric properties, length–weight and length–length relationships (Taskavak *et al.*, 2012; Kırankaya *et al.*, 2014; İlhan and Sarı, 2015; İlhan and İlhan, 2018); reproductive features of big scale sand smelt (Küçük *et al.*, 2012) and growth and reproduction of a marine fish, *A. boyeri* (Gençoğlu and Ekmekçi, 2016). The other studies conducted on *A. boyeri* include the resettlement of *A. boyeri* in Turkey reservoirs (Saç *et al.*, 2016); new record of the big-scale sand smelt in the Devegeçidi Dam Lake (Ünlü *et al.*, 2017); Süreyyabey Dam Lake (Benzer, 2018); and in the Seyhan Dam Reservoir (Çevik *et al.*, 2018). The growth models of big-scale have also been studied (Benzer and Benzer, 2017).

In the present study the morphometric characteristics of individuals of *A. boyeri* were measured in the Hirfanlı Dam Lake and compared with the results of previously mentioned studies on the same species in other dams of Turkey.

## MATERIALS AND METHODS

The study was carried out in Hirfanlı Dam Lake (Fig. 1), which was constructed in 1959, on river Kızılırmak, 70 km far from the south of Kırıkkale. It is located at 856 m altitude with a capacity of  $7.63 \times 10^9 \text{ m}^3$  and an area of  $320 \text{ km}^2$ . The depth, length and width of the lake are 58 m, 90 and 15 km, respectively. It is 24 km far from Ankara - Kırşehir Highway and 30 km from Ankara-Adana highway (DSİ, 1968).

During the study, 35 specimens of *A. boyeri* were collected from fishermen operating in the area of Hirfanlı Dam Lake in April 2016. The samples were preserved in 4% formaldehyde solution and all lengths were measured to the nearest 0.1 mm and the weight was taken to the nearest 0.01g. The following measurements were taken as described in Fig. 2.

Sex was determined by examining gonads after dissection of fish. Statistical analyses (SD, CI confidence interval, margin of error, lower bound) were performed using SPSS software.

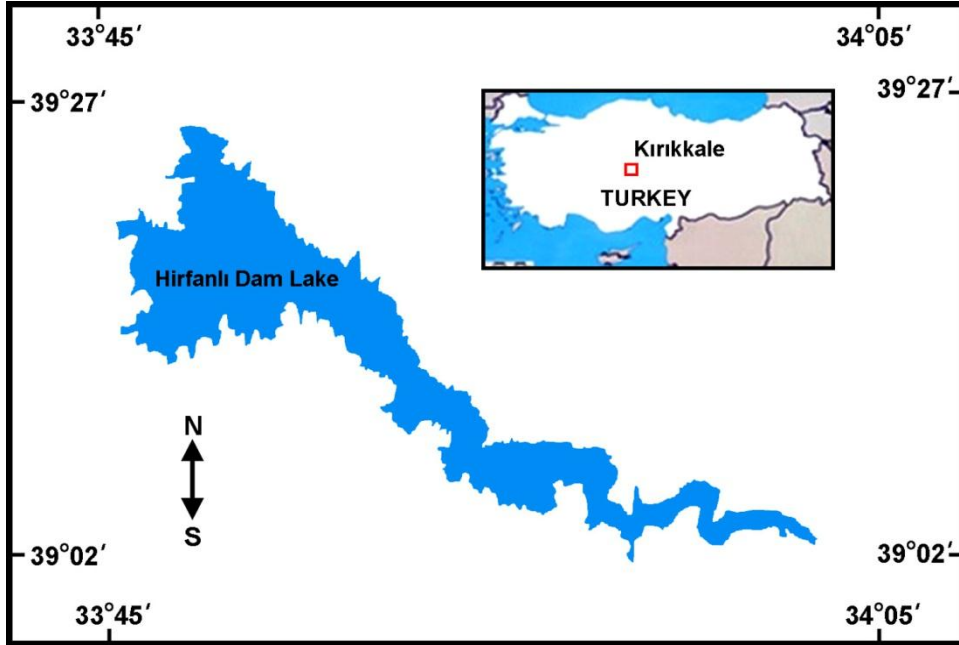


Fig. 1. Hirfanlı Dam Lake.

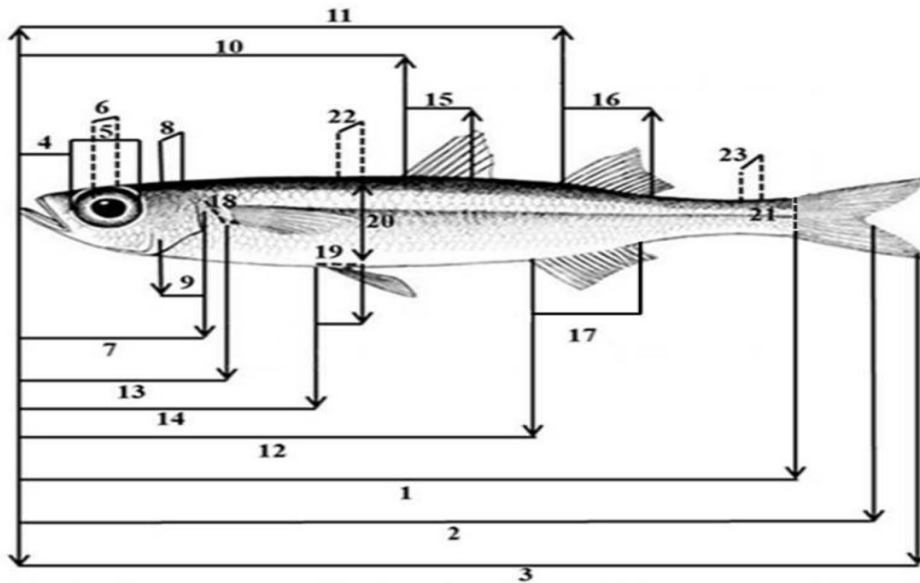


Fig. 2. Metric measurements taken on *A. boyeri* (Bostancı *et al.*, 2014).

As in Figure	Metric measurements
1	Standard Length
2	Fork Length
3	Total Length
4	Body Weight
5	Preorbital distance
6	Eye diameter
7	Interorbital distance
8	Head length
9	Head width
10	Dorsal fin I nose point distance
11	Dorsal fin II nose point distance
12	Preanal distance
13	Prepectoral distance
14	Preventral distance
15	Dorsal fin I base length
16	Dorsal fin II base length
17	Anal fin base length
18	Pectoral fin base length
19	Ventral fin base length
20	Maximum body height
21	Caudal peduncle height
22	Body width
23	Caudal peduncle width

## RESULTS AND DISCUSSION

Measurements of 35 specimens of *A. boyeri* conducted during this study are given in Table 1. The Standard length of 35 individuals ranged between 56 to 78 mm (Table 1). The sex of fish showed there were 54.4 % females and 44.9 % males. Minimum total weight was measured as 2.324 g, maximum total weight as 4.133 g, and average total weight was calculated as 3.467g for females. Minimum total weight was measured as 1.533 g, maximum total weight as 4.011g, and average total weight was calculated as 2.801 g in males. Head length varied between 13.0 mm – 17 mm in females and 10 mm – 19 mm in males.

A comparison of various lengths and weight of *A. boyeri* in the present study was made with the same species found at other locations in Turkey waters (Table 2). The average values of total length, fork length, standard length and weight of *A.boyeri* in the present study from Hirfanlı Dam Lake (Table 2) were less than the average length and weight of this species collected from Seyhan Dam Reservoir (Çevik *et al.*, 2018) and greater than the average length and weight collected from Süreyyabey Dam Lake (Benzer, 2018) and from Devegeçiti Dam Lake (Ünlü *et al.*, 2017). The average head

length of *A. boyeri* in the present study was  $14.88 \pm 1.81$  mm which is greater than the average head length value of the same species in the Turkish waters reported by by other authors, being  $12.9 \pm 1.64$  (Cevik *et al.* 2018),  $11.89 \pm 2.19$  (Benzer, 2018) and  $9.6 \pm 1.1$  (Ünlü *et al.*, 2017) (Table 2).

**Table 1. Morphometric characters of *A. boyeri* specimens.**

Parameters	Min (cm)	Max (cm)	Average (cm)	SD	CI	Margin of error	Upper bound	Lower bound
<b>FEMALE</b>								
1 Standard Length	6.200	7.500	6.953	0.344	0.174	0.015	7.127	6.779
2 Fork Length	6.700	8.100	7.493	0.383	0.201	0.021	7.694	7.292
3 Total Length	7.100	8.600	7.936	0.409	0.214	0.023	8.150	7.722
4 Preorbital distance	0.300	0.600	0.480	0.068	0.034	0.001	0.514	0.446
5 Eye diameter	0.400	0.600	0.520	0.056	0.028	0.000	0.548	0.492
6 Interorbital distance	0.300	0.600	0.480	0.068	0.034	0.001	0.514	0.446
7 Head length	1.300	1.700	1.533	0.098	0.049	0.001	1.583	1.484
8 Head width	0.600	1.000	0.787	0.130	0.066	0.002	0.853	0.721
10 Dorsal fin I nose point distance	2.700	3.500	3.120	0.227	0.115	0.007	3.235	3.005
11 Dorsal fin II nose point distance	4.000	5.000	4.593	0.333	0.168	0.014	4.762	4.425
12 Preanal distance	4.000	5.000	4.593	0.284	0.144	0.011	4.737	4.450
13 Prepectoral distance	1.600	2.000	1.853	0.155	0.079	0.003	1.932	1.775
14 Preventral distance	2.300	3.200	2.773	0.260	0.132	0.009	2.905	2.642
15 Dorsal fin I base length	0.300	0.900	0.527	0.162	0.096	0.005	0.623	0.432
16 Dorsal fin II base length	0.700	1.000	0.893	0.103	0.052	0.001	0.946	0.841
17 Anal fin base length	0.700	1.200	0.967	0.129	0.065	0.002	1.032	0.901
18 Pectoral fin base length	0.100	0.500	0.280	0.108	0.055	0.002	0.335	0.225
19 Ventral fin base length	0.200	0.500	0.280	0.108	0.055	0.002	0.335	0.225
20 Maximum body height	1.000	1.900	1.347	0.223	0.113	0.007	1.460	1.234
21 Caudal peduncle height	0.300	0.500	0.440	0.063	0.032	0.001	0.472	0.408
22 Body width	0.600	1.300	0.960	0.206	0.104	0.006	1.064	0.856
23 Caudal peduncle width	0.300	0.600	0.433	0.082	0.041	0.001	0.475	0.392
24 Body Weight	2.324	4.133	3.467	0.467	0.236	0.029	3.704	3.231
<b>MALE</b>								
1 Standard Length	5.600	7.800	6.860	0.460	0.202	0.021	7.062	6.658
2 Fork Length	6.100	8.100	7.335	0.450	0.197	0.020	7.532	7.138
3 Total Length	6.500	8.600	7.920	0.455	0.199	0.020	8.119	7.721
4 Preorbital distance	0.400	0.700	0.518	0.067	0.030	0.000	0.547	0.488
5 Eye diameter	0.400	0.600	0.490	0.055	0.024	0.000	0.514	0.466

Continued.....

6	Interorbital distance	0.300	0.600	0.448	0.090	0.039	0.001	0.487	0.408
7	Head length	1.000	1.900	1.455	0.221	0.097	0.005	1.552	1.358
8	Head width	0.500	0.900	0.690	0.097	0.042	0.001	0.732	0.648
10	Dorsal fin I nose point distance	2.500	5.200	3.265	0.653	0.286	0.042	3.551	2.979
11	Dorsal fin II nose point distance	3.700	5.700	4.605	0.432	0.189	0.018	4.794	4.416
12	Preanal distance	3.600	6.000	4.620	0.438	0.192	0.019	4.812	4.428
13	Prepectoral distance	1.300	2.000	1.630	0.215	0.094	0.005	1.724	1.536
14	Preventral distance	1.500	3.200	2.468	0.489	0.215	0.023	2.682	2.253
15	Porsal fin I base length	0.200	0.500	0.344	0.104	0.048	0.001	0.393	0.296
16	Dorsal fin II base length	0.200	1.000	0.605	0.216	0.095	0.005	0.700	0.510
17	Anal fin base length	0.300	1.100	0.780	0.217	0.095	0.005	0.875	0.685
18	Pectoral fin base length	0.300	1.900	1.095	0.456	0.200	0.020	1.295	0.895
19	Ventral fin base length	0.200	0.400	0.245	0.060	0.027	0.000	0.272	0.218
20	Maximum body height	0.900	2.000	1.278	0.245	0.107	0.006	1.385	1.170
21	Caudal peduncle height	0.300	0.500	0.450	0.061	0.027	0.000	0.477	0.423
22	Body width	0.500	1.100	0.690	0.145	0.063	0.002	0.753	0.627
23	Caudal peduncle width	0.200	0.400	0.225	0.055	0.024	0.000	0.249	0.201
24	Body Weight	1.533	4.011	2.801	0.576	0.253	0.033	3.053	2.548

**Table 2. Some morphometric measurements of *A. boyeri* in present study and in literature. TL= Total length, FL = Fork length, SL = Standard length, W = weight, HL = Head length, Ed = Eye diameter, IO = Interorbital distance, POL = Preorbital distance.**

Metric	Present study		Çevik <i>et al.</i> (2018) from Seyhan Dam Reservoir		Benzer (2018) from Süreyyabey Dam Lake		Ünlü <i>et al.</i> (2017) from Devegeçiti Dam Lake	
	Mean±SD	Range	Mean±SD	Range	Mean±SD	Range	Mean±SD	Range
TL (mm)	79.26±4.30	65-86	83.8±9.50	72.1-100.1	66.1±5.40	58-78	47.0±4.2	43.3-59.9
FL (mm)	74.0±4.24	61-81	77.7±8.58	66.0-92	60.65±5.32	49-73	44.1±3.6	40.3-55.1
SL (mm)	69.0±4.11	56-78	72.1±7.70	61.0-85	56.93±5.50	41-68	40.7±3.4	37.7-50.9
W (g)	3.09±0.62	1.53-4.13	3.6±1.11	2.1-5.90	1.95±0.60	0.90-3.57	2.9±3.2	0.7-8
HL (mm)	14.88±1.81	10-19	12.9±1.64	10.9-16.0	11.89±2.19	8-16	9.6±1.1	8.4-12.9
ED	5.02±0.56	4-6	3.4±0.58	2.8-4.50	4.41±0.68	3-6	3.5±0.5	3.0-4.9
IO	4.61±0.81	3-6	2.6±0.43	2.1-3.10	3.69±0.81	3-7	3.2±0.2	2.6-3.4
POL	5.01±0.69	3-7	3.9±0.82	2.1-5.50	3.84±0.89	2-6	3.5±0.4	3.0-4.6

Morphometric characters are not only essential to understand the taxonomy but also the health of a species as well as its reproduction in an environment. The shape and structures are unique to each species and the variations in its features are probably related to the habit and habitat among the variant of the species (Carpenter *et al.*, 1996).

It is reported that morphometric characters may vary not only in populations, but also in the region (Chan, 2001). Apart from the morphometric diversity, there are differences in meristic features in the populations of the species at regional level (Fransisco *et al.*, 2008). Using standard measures in all populations is important in terms of reflecting more real results in comparison of populations Taşkavak *et al.*, 2012).

### CONCLUSION

In this study, 23 morphometric characteristics of *A. boyeri* in Hirfanlı Dam Lake were investigated. The present study reports for the first time the data on *A. boyeri* in that area and describes the area where this fish were recorded.

The findings obtained in this study are important to compare it with previous studies on the morphometric characteristics of *A. boyeri*, as it has been reported that morphometric characters change not only among the populations but also in various regions (Chan, 2001). The data obtained in this study will also contribute in future studies on the various biological aspects of this species.

### REFERENCES

- Altun, O., 1986. Küçükçekmece Gölü'nde Yaşayan Gümüşbalığı (*Atherina (Hepsetia) boyeri* Risso, 1810)'nın Biyolojisi ve Ontogenetik Gelişmesi. İstanbul Üniversitesi Fen Bilimleri Enstitüsü. Doctoral Thesis. 47 pp. (Turkish).
- Bartulovic, V., D. Lucic, A. Conides, B. Glamuzina, J. Dulcic, D. Hafner and M. Batistic, 2004. Food of sand smelt, *Atherina boyeri* Risso, 1810 (Pisces: Atherinidae) in the estuary of the Mala Neretva River (middle-eastern Adriatic, Croatia). *Sci. Mar.* 68: 597-603.
- Benzer, S. and R. Benzer, 2017. Comparative growth models of big-scale sand smelt (*Atherina boyeri* Risso, 1810) sampled from Hirfanlı Dam Lake, Kırşehir, Ankara, Turkey. *Computat. Ecol. Software.* 7(2): 82-90.
- Benzer, S., 2018. First Record of the Sand Smelt *Atherina boyeri* Risso, 1810 in the Süreyyabey Dam Lake Yeşilirmak Basin, Turkey, *Ann. Biol. Sci.* 6(2): 14–18.
- Bostancı, D., M.A. Yağcı, S. Konaş, G. Kurucu and N. Polat, 2014. Morphometric and Biometric Characteristics of Some Bony Structures of an Invasive Species *Atherina boyeri* in Eğirdir Lake Population. *Journal of Eğirdir Fisheries Faculty of Süleyman Demirel University*, 10(1), 1-11.
- Buj, I., M. Podnar, M. Mrakovcic, M. Caleta, P. Mustafic, D. Zanella and Z. Marcic, 2008. Morphological and genetic diversity of *Sabanejewia balcanica* in Croatia. *Folia Zool.* 57(1-2): 100-10.
- Carpenter, S.R., J.F. Kitchell, K.L. Cottingham, D.E. Schindler, D.L. Christensen, D.M. Post and N. Voichick, 1996. Chlorophyll variability, nutrient input and grazing: evidence from whole-lake experiments. *Ecol.* 77: 725–735
- Chan, M.D., 2001. Fish ecomorphology: predicting habitat preference of stream fishes from their body shape. Doctor of Philosophy Thesis, Virginia Polytechnic Institute and State University. 252 p.

- Cheng, Q., D. Lu and L. Ma, 2005. Morphological differences between close populations discernible by multivariate analysis: A case study of genus *Coilia* (Teleostei: Clupeiforms). *Aquat. Living Resour.* 18(2): 187-92.
- Congiu, L., R. Rossi and G. Colombo, 2002. Population analysis of the sand smelt *Atherina boyeri* (Teleostei Atherinidae), from Italian coastal lagoons by random amplified polymorphic DNA. *Marine Ecology Progress Series.* 229, 279-289.
- Çetinkaya, S., R. Uysa, V. Yegen, M. Cesur and H. Bostan, 2011. The growth characteristics of sand smelt (*Atherina boyeri*, Risso 1810) in Lake İznik (Türkiye). *Turk. J. Fisher. Aquat. Sci.* 11: 641-648.
- Çevik, C., S. Gündoğdu and S.A. Ergüden, 2018. New Record of the Big-Scale Sand Smelt *Atherina boyeri* Risso, 1810 (Atherinidae) in the Seyhan Dam Reservoir (Seyhan River Basin, Turkey). *Nat. Engineer. Sci.* 3(2): 133-140.
- Doulka, E., G. Kehayias, E. Chalkia and I.D. Leonardos, 2013. Feeding strategies of *Atherina boyeri* (Risso 1810) in a freshwater ecosystem. *J. Appl. Ichthyol.* 29: 200-207.
- DSİ., 1968. Limnological Survey Report of Hirfanlı Dam Lake, Ankara, Turkey.
- Ekmekçi, F., Ş. Kırankaya, L. Gençoğlu and B. Yoğurtçuoğlu, 2013. Present status of invasive fishes in inland waters of Turkey and assessment of the effects of invasion. *Istanbul University J. Fisher. Aquat. Sci.* 28: 105-140.
- Ekmekçi, F.G., Ş. Yalçın Özdilek and Ş.G. Kırankaya, 2010. İstilacı Bir Balık Türü Olan *Pseudorasbora parva* (Temminck & Schlegel, 1846)'nın Hirfanlı Baraj Gölü'ndeki Populasyonunun Üreme, Beslenme ve Büyüme Özelliklerinin Belirlenmesi. TÜBİTAK–TOVAG Project Report (No: 107O718). Ankara, Turkey: TÜBİTAK (in Turkish).
- Francisco, F.O., P. Nunes, T.M. Franco, D. Wittmann, V.L. Imperatriz-Fonseca, M.C. Arias and E.D. Morgan, 2008. Morphometrical, biochemical and molecular tools for assessing biodiversity. An example in *Plebeia remota* (Holmberg, 1903) (Apidae, Meliponini). *Insect. Sociou.* 55: 231-237.
- Freyhof, J. and M. Kottelat, 2008. *Atherina boyeri*. The IUCN Red List of Threatened Species 2008:e.T2352A9434124.
- Gençoğlu, L. and F.G. Ekmekçi, 2016. Growth and reproduction of a marine fish, *Atherina boyeri* Risso 1810, in a freshwater ecosystem. *Turk. J. Zool.* 40: 534-542.
- Gül, A., M. Yılmaz, S. Benzer and L. Taşdemir, 2011. Investigation of zinc, copper, lead and cadmium accumulation in the tissues of *Sander lucioperca* (L., 1758) living in Hirfanlı Dam Lake, Turkey. *Bull. Environ. Contamin. Toxicol.* 87(3): 264-266.
- İlhan, A. and H.M. Sari, 2015. Length-Weight Relationships of Fish Species in Marmara Lake, West Anatolia, Turkey. *Croat. J. Fish.* 73(1): 30–32.
- Innal, D. and F. Erk'akan, 2006. Effects of exotic and translocated fish species in the inland waters of Turkey. *Rev. Fish Biol. Fish.* 16: 39-50.
- İlhan, A. and D. İlhan, 2018. Length-Weight Relationship and Condition of Big-Scale Sand Smelt (*Atherina Boyeri* Risso, 1810) from Marmara Lake (Manisa) and Homa Lagoon (İzmir). *Bl. Sea J. Sci.* 8(1): 25-34.
- Kırankaya, S.G. and F.G. Ekmekçi, S. Yalçın-Özdilek, B. Yoğurtçuoğlu and L. Gençoğlu, 2014. Condition, length–weight and length–length relationships for five species from Hirfanlı resevoir, Turkey. *J. Fish. Sci.* 8: 208–213.
- Kiener, A. and C.J. Spillmann, 1969. A` l`e` tude syste` matique et e`cologique des Athe`rines des co`tes franc`aises. *Me`m. Mus. Natn. Hist. Nat.* XL: 33–74.



- Kucuk, F., S.S. Guclu, I. Gulle, Z. Guclu, N.L. Cicek and G. Diken, 2012. Reproductive features of big scale sand smelt, *Atherina boyeri* (Risso, 1810), an exotic fish in Lake Egirdir (Isparta-Turkey). *Turk. J. Fish. Aquat. Sci.* 12: 731-735.
- Milana, V., L. Sola, L. Congiu and A.R. Rossi, 2008. Mitochondrial DNA in *Atherina* (Teleostei, Atheriniformes): differential distribution of an intergenic spacer in lagoon and marine forms of *Atherina boyeri*. *J. Fish. Biol.* 73(5): 1216-1227.
- Mir, F.A., J.I. Mir, Chandra and Suresh, 2013. Phenotypic variation in the Snowtrout *Schizothorax richardsonii* (Gray, 1832) (Actinopterygii: Cypriniformes: Cyprinidae) from the Indian Himalayas. *Cont. Zool.* 82(3): 115-122.
- Park, I.S., S.R. Woo, Y.C. Song and S.H. Cho, 2007. Effects of starvation on morphometric characteristics of olive flounder, *Paralichthys olivaceus*. *Ichthyol. Res.* 54: 297-302.
- Quignard, J.P. and A. Pras, 1986. Atherinidae. p. 1207-1210. In P.J.P. Whitehead, M.-L. Bauchot, J.-C. Hureau, J. Nielsen and E. Tortonese (eds.) Fishes of the North-eastern Atlantic and the Mediterranean. UNESCO, Paris. Vol. 3.
- Rosecchi, E. and A.J. Grivelli, 1992. Study of a sand smelt (*Atherina boyeri*, Risso 1810) population reproducing in fresh water. *Ecol Freshwater Fish.* 1: 77-85.
- Saç, G., K. Aydoğan, O. Özuluğ, and M. Özuluğ, 2016. Resettlement of *Atherina boyeri* Risso, 1810 in Büyükçekmece Reservoir (İstanbul, Turkey). *Fish. Taxa.* 1(1): 27-28.
- Sezen, B., 2005. Research on biological characteristics of sand smelt (*Atherina boyeri* Risso, 1810) population in Homa Lagoon (Izmir). MSc thesis. İzmir: Ege University.
- Strauss, R.E. and C.E. Bond, 1990. Taxonomic methods: morphology. In: Methods for fish biology. Schreck C. B., Moyle P. B. (eds), American Fisheries Society, Bethesda, Maryland. pp. 109-133.
- Tarkan, A.S., F. Güler Ekmekçi, L. Vilizzi and G.H. Copp, 2014. Risk screening of non-native freshwater fishes at the frontier between Asia and Europe: first application in Turkey of the fish invasiveness screening kit. *J. Appl. Ichthyol.* 30: 392-398.
- Tarkan, A.S., G.H. Copp, N. Top, N. Özdemir, B. Önsoy, G. Bilge, H. Filiz, S. Yapıcı, G. Ekmekçi, S. Kırankaya, O. Emiroğlu, Ö. Gaygusuz, C. GürsoyGaygusuz, A. Oymak, G. Özcan and G. Saç, 2012. Are introduced gibel carp *Carassius gibelio* in Turkey more invasive in artificial than in natural waters? *Fish. Manage. Ecol.* 19: 178-187.
- Tarkan, S., G. Bilge, B. Sezen, A. Tarkan, O. Gaygusuz, C. Gürsoy, H. Filiz and H. Acıpinar, 2007. Variations in growth and life history traits of sand smelt, *Atherina boyeri*, populations from different water bodies of Turkey: influence of environmental factors. *Rapp. Comm. Int. Mer. Médit.* 38: 611.
- Taskavak, E., S. Gurkan and B. Bayhan, 2012. Biometric properties of the sand smelt *Atherina boyeri* Risso, 1810 from the Izmir Bay (Aegean Sea). *J. Fish. Sci.* 6(1): 18-25.
- Tzeng, T.D., 2004. Morphological variation between populations of spotted mackerel (*Scomber australasicus*) off Taiwan. *Fish. Res.* 68(1-3): 45-55.
- Ünlü, E., Ö. Gaygusuz, T. Çiçek, S. Bilici and B.W. Coad, 2017. New record and range extension of the big-scale sand smelt *Atherina boyeri* Risso, 1810 (Atherinidae) in the Devegeçidi Dam Lake, Tigris River basin, Turkey.